

AXIS T8604 Media Converter Switch

Bring Ethernet to a fast optical fiber long distance connection.



- > Convert Ethernet to optical fiber
- > Compatible with Axis network video products
- > Support for 10/100 Mbps
- > Two SFP slots and two RJ-45 ports

AXIS T8604 Media Converter Switch allows Axis video products to connect to the network using standard network or fiber optic cables that help lower the cost of installing the cameras over long distances.

Perfect for city surveillance, airports and other long distance installations, AXIS T8604 Media Converter Switch is a DIN-mounted device that can convert an Ethernet signal to be used over optical fiber cable. Fiber optic connections are typically used in surveillance installations where lightning strikes are a threat or great connection distances are required. Surveillance integrators in the field can also connect installation monitors and laptops to AXIS T8604 for camera maintenance and control.

The media converter switch is compatible with all Axis network video products. An Axis camera/encoder connects to AXIS T8604 using an Ethernet cable, and through the media converter switch and data is provided to the network video product. Two SFP slots give installers the flexibility to connect the cameras cost-effectively to the network over long distances. The RJ-45 connectors can also be used for connection to complementary cameras or temporarily to a laptop to service the system locally.

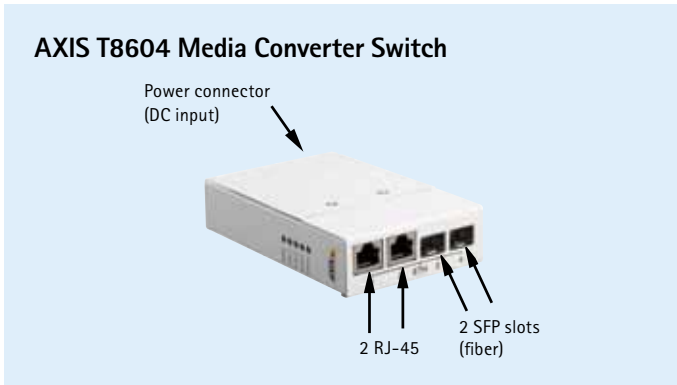
The media converter switch can be connected in a daisy chain network. The maximum number of cameras that can be connected in the daisy chain depends on the generated bitrate per camera. The limitations are the 100Mbit link between camera and media converter switch, and the 1000 Mbit link between the media converter switches. AXIS T8604 does not feature IGMP Snooping.



Technical specifications – AXIS T8604 Media Converter Switch

General	
Model	AXIS T8604 Media Converter Switch
Supported products	All Axis network video products
Casing	Metal Color: white NCS S 1002-B
Connectors	2x RJ-45 connectors (10/100 Mbps)* 2x SFP connectors (100/1000 Mbps) for SFP fiber optic modules or SFP to copper modules 1x power * use shielded cables (STP) CAT5 or higher
Power	12.0 - 13.2 V DC, max. 3.5 W
Display & indicators	Power LED indicator Network LED indicator (4x)
Compliance	RoHS, REACH, WEEE, CE, EN 50022, IEC 60715, AS 2756
Mounting	DIN Rail mount
Environment	Indoor/cabinet
Approvals	EN 55022 Class A, EN 61000-3-2, EN 61000-3-3, EN 61000-6-1, EN 61000-6-2, EN 55024, FCC Part 15 Subpart B Class A, ICES-003 Class A, VCCI Class A, C-tick AS/NZS CISPR 22, KCC Class A, IEC/EN 60950-1

Operating conditions	-40 °C to 75 °C (-40 °F to 167 °F) Humidity 10 - 85% RH (non-condensing)
Storage conditions	-40 °C to 75 °C (-40 °F to 167 °F) Humidity 10 - 85% RH (non-condensing)
Dimensions	150 x 100 x 30 mm (5.9" x 3.9" x 1.2")
Weight	284 g (0.63 lb.)
Included accessories	Bracket Mount DIN Clip, Installation Guide



More information is available at www.axis.com

